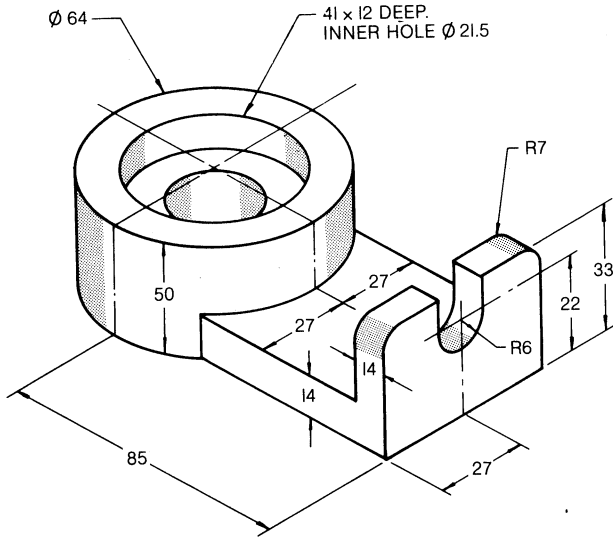
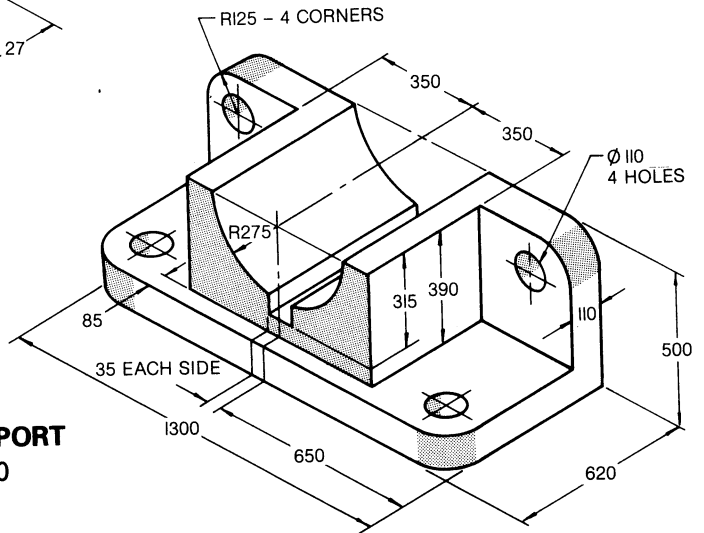


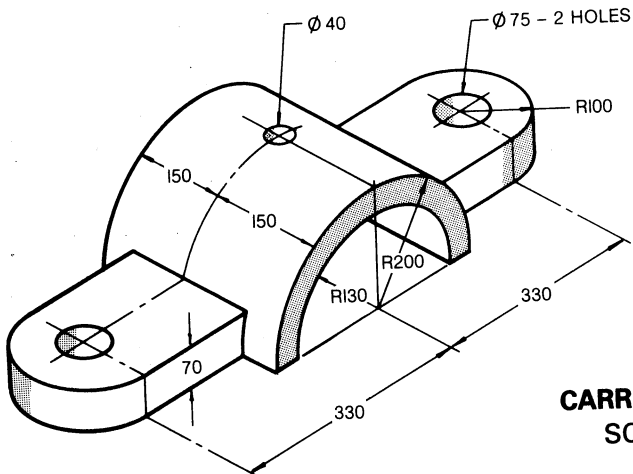
# ORTHOGRAPHIC DRAWING PROBLEMS



**FEED STOP**  
SCALE 1:1



**COLUMN SUPPORT**  
SCALE 1:10



**CARRIER FRAME**  
SCALE 1:5